

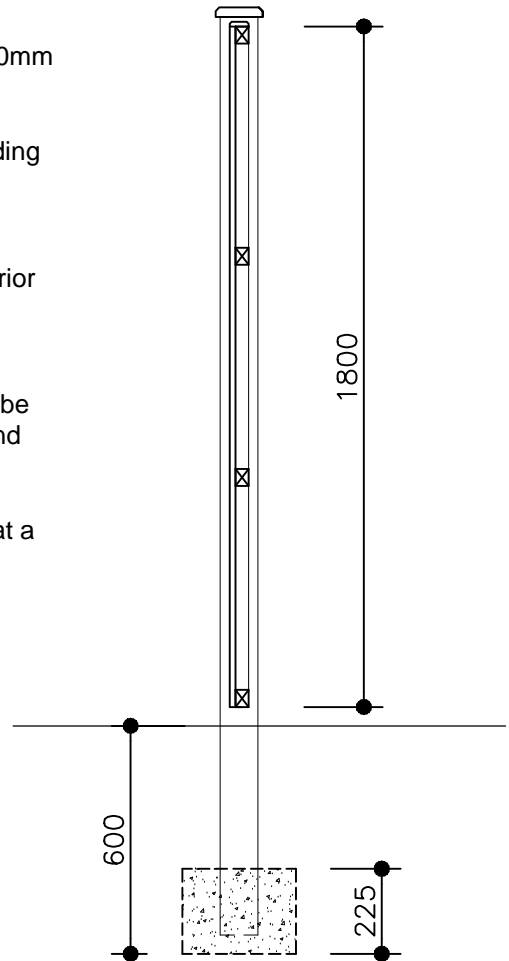
100x100mm posts x 2400mm long

75 /125x38 vertical boarding on 35x45mm frame

All external timbers to be tanolised and coloured prior to delivery to site. I.E Tanatone Product

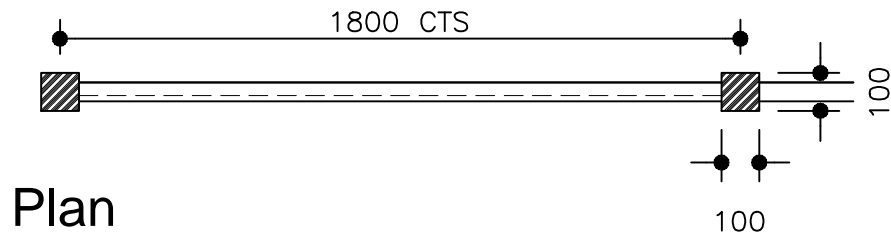
Posts at 1800mm ctrs to be reduced on sloping ground

300x300x225mm deep concrete foundation set at a depth of 600mm min



Section

Elevation



Plan

Revisions



urban designs limited | clay house | five hominglow street
burton upon trent | staffordshire | de14 1ng
t: 01283 763763 m: 07930 604427 f: 0845 0099 763
e: info@urban-designs.co.uk
www.urban-designs.co.uk

Drawing: Fence Enclosure
1.8m High Fence

Client: Fitzpatrick Cruise

Job: Former Adult Training Centre
Shobnall Street
Burton Upon Trent
DE14 2HE

Scale: 1:20@A3
Date: Dec 2017

Drawn By: AR

Drawing No.
2017_510_12